

**Product information**

**A-H1.2**

**Switching head A-H1.2**

For devices **HR1MV-  
HR1MVO-  
HR2A-  
HR2VA-**



- I M1 Ex ia I Ma
- II 1G Ex ia IIC T4 Ga
- II 1D Ex ia IIIC T135°C Da

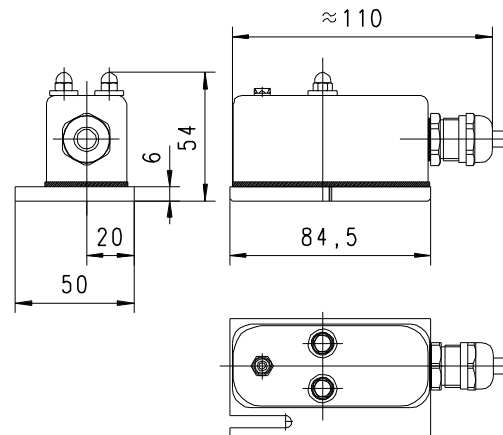
**Characteristics**

Intrinsically safe switching head with reed switch and ATEX approval, for the HR range of devices, for use in intrinsically safe power circuits.

**Technical data**

<b>Switch</b>	reed switch
<b>Medium temperature</b>	-20..+120 °C
<b>Ambient temperature</b>	-20..+50 °C
<b>Weight</b>	0.5 kg additionally
<b>without signal lamp</b>	
<b>Wiring</b>	transformer No. 0.213 
<b>Switching voltage</b>	max. 30 V
<b>Switching current</b>	max. 1.5 A
<b>Switch performance</b>	max. 50 W
<b>with signal lamp</b>	
<b>Wiring</b>	transformer with signal lamp No. 0.208 
<b>Switching voltage</b>	max. 15 V, 28 V or 36 V
<b>Switching current</b>	max. 1.5 A
<b>Switch performance</b>	max. 50 W
<b>Protection class</b>	3 - Protective extra low voltage
<b>Ingress protection</b>	IP 65
<b>Electrical connection</b>	cable 2.5 m, other cable lengths up to max. 5 m are optionally available

**Dimensions**



**Handling and operation**

**Note**

**All**

- For use only in intrinsically safe power circuits - Provide a suitable isolating amplifier.
- Cable lengths max. 5 m.
- It must be ensured that the values given for voltage, current, and power are not exceeded.
- When switched on, a load must be connected in series.
- The electrical details apply to ohmic loads. Capacitive, inductive and lamp loads must be operated using a protective circuit.

**HR1MVO-**

- Display with plastic parts - do not open in an explosive atmosphere.

**Adjustment**

If it is necessary to set the switching value, the switching head can be adjusted lengthways. When the switching value is reached, the switching unit is fixed in place by a fastening bolt.



**Ordering code**

The basic device is ordered e.g. HR1MV-040GM060A with switching head e.g. A-H1.2-1.

A-H1.2 -  1.

1.	Wiring - switching voltage	
1	Anschlussbild Nr. 0.213 - 30 V	
2	Anschlussbild Nr. 0.208 - 15 V	
3	Anschlussbild Nr. 0.208 - 28 V	
4	Anschlussbild Nr. 0.208 - 36 V	